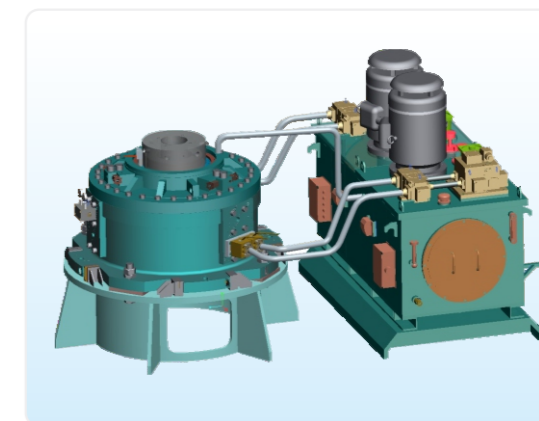


始终做中国船舶配套企业的旗舰

Always be the Flagship of China's Marine Equipment Suppliers

坚定做中国海工装备模块化配套和系统集成 (EPCI) 的先锋

Firmly Be the Pioneer of Ancillary Modulization and Systematic Integration for Ocean Engineering Equipment in China.



转叶式舵机

Rotary Vane Steering Gear

WUHAN MARINE MACHINERY PLANT CO., LTD.

地址：中国湖北省武汉市青山区武东街9号

成套设备经营部：027-68867018

船舶产品经营部：027-68867127

海洋工程装备经营部：027-68867416/7417

液货产品经营部：027-68867334

国际经营部：027-68867086/7087

技术支持：027-68867389/68867623

传真：027-68867461

邮编：430084

电子邮箱：whcj@wmmp.com.cn

网址：http://www.wmmp.com.cn

Address: No.9, Wudong Street, Qingshan District, Wuhan, Hubei, China

Complete-Set Equipment Business Department: 027-68867018

Marine Product Business Department: 027-68867127

Offshore Equipment Business Department: 027-68867416/7417

Marketing Department of Cargo Pumping System: 027-68867334

International Business Department: 027-68867086/7087

Technical Backup: 027-68867389/68867623

Fax: 027-68867461 Post Code: 430084

E-mail: whcj@wmmp.com.cn

Website: http://www.wmmp.com.cn

V: XXSC2010ZYD-3



CSSC

武汉船用机械有限责任公司

简介 Introduction

武汉船用机械有限责任公司是国内最专业的船用舵机配套企业，拥有三十多年的船用大型舵机配套的丰富经验，具备各类大型舵机（柱塞式舵机、转叶式舵机及摆缸式舵机）的自主研制能力，并建造有国内最大船用舵机智能化综合试验台。

武汉船用机械有限责任公司转叶式舵机产品基于标准化、模块化、系列化的理念设计，具有集成化程度高、运转平稳、噪声低、易于安装、便于操作与维护等优点。目前，转叶式舵机产品已广泛应用于运输船、海洋工程船、海洋平台等。

公司拥有种类齐全、规格完整的舵机产品，可满足不同船型需要，是世界上少数几家既生产柱塞式舵机又生产转叶式舵机的厂家之一。

Wuhan Marine Machinery Plant CO., LTD (WMMP) is the most professional supplier of steering gear in China. which has rich experience of equipping steering gears for more than thirty years. and has acquired the design and manufacture technology of all type steering gear (such as Rapson Sidle Type, Rotary Vane Type and Linked Cylinder Type), which also designed and manufactured large intellectualized test stand for Steering Gear.

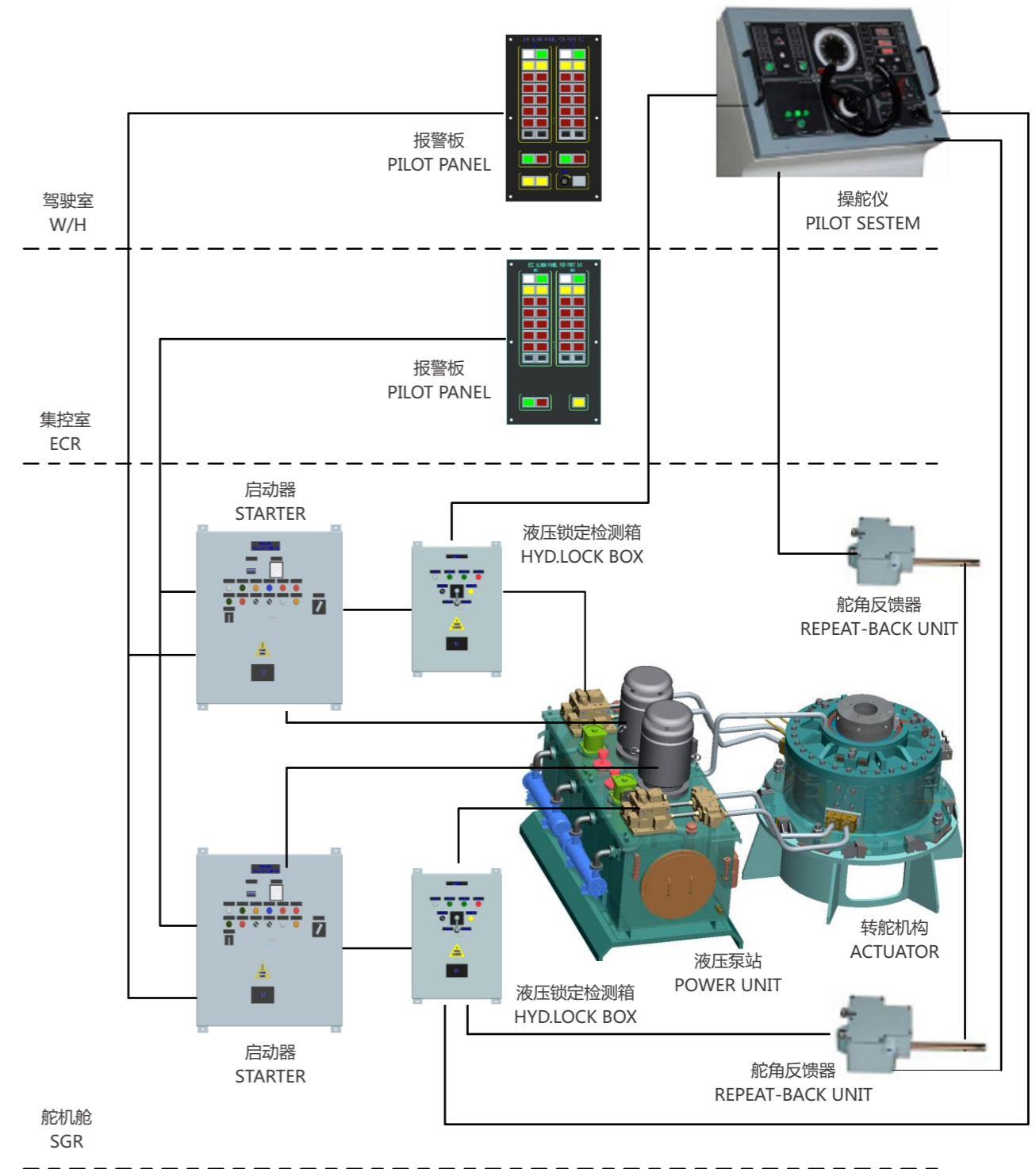
WMMP WZY series rotary vane steering gears are based on the deal of standardization, modularization and serialization, All products have the benefits of high integration, smooth operation, low noise, easy installation, instruction and maintenance, etc. Now the WZY type rotary vane steering gears are widely used in carrier, working ship, ocean platform, etc.

Now WMMP has a variety of steering gear to meet the demands of all type and size ships. It's one of the minority companies which can produce both "Rapson Sidle Type" steering gear and rotary vane type steering gear.



舵机系统图

Steering Gear System



W ZY 1300 - 3/35 A

表示第二代产品
Second generation product

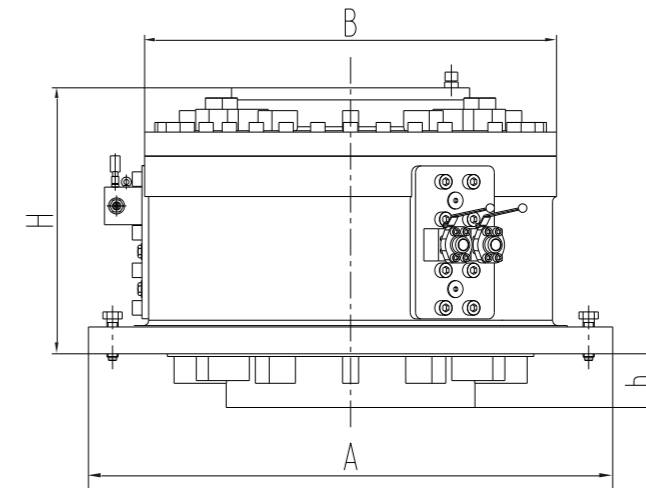
转舵角度±35°
Rudder Angle

叶片数为3
The Number of Vane

最大工作压力下的扭矩为1300kNm
Torque at Max. Working Pressure

转叶式舵机
Rotary Vane Steering Gear

WMMP



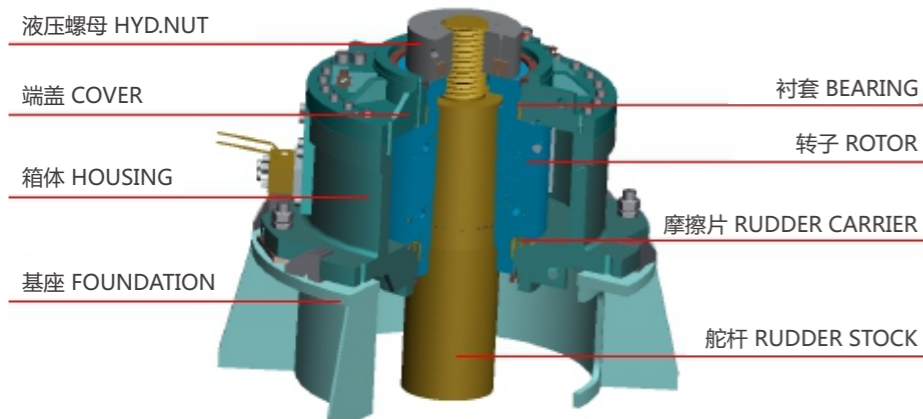
型号 TYPE	最大工作压力(MPa) Max. working pressure	最大工作扭矩(kNm) Torque at max. working pressure	转舵角度(°) Rudder turning angle	适用最大舵杆直径(mm) Rule dia. in way of rudder head	外形尺寸 Approx dimensions			
					A	B	H	h
WZY63-3/35*	8	63	±35	170	740	600	425	85
WZY63-2/45*	8	63	±45	220	885	765	510	110
WZY90-3/35*	8	90	±35	220	885	765	510	110
WZY90-2/45*	8	90	±45	240	950	770	540	120
WZY130-3/35*	8	130	±35	240	950	770	540	120
WZY130-2/45*	8	130	±45	240	1110	870	575	130
WZY160-3/35*	6.6	160	±35	240	1110	870	575	130
WZY160-2/45*	8	160	±45	240	1110	870	665	130
WZY250-3/35*	8	250	±35	260	1180	900	665	135
WZY250-2/45*	8	250	±45	300	1220	940	665	145
WZY320-3/35*	8	320	±35	300	1220	940	665	145
WZY320-2/45*	8	320	±45	360	1430	1110	680	150
WZY450-3/35*	8	450	±35	360	1430	1110	680	150
WZY450-2/45*	8	450	±45	400	1560	1225	770	150
WZY630-3/35*	8	630	±35	400	1560	1225	770	150
WZY630-2/45*	8	630	±45	440	1660	1340	830	160
WZY750-3/35*	6.7	750	±35	440	1660	1340	830	160
WZY750-2/45*	8	750	±45	480	1890	1470	935	180
WZY900-3/35*	8	900	±35	440	1660	1340	830	160
WZY900-2/45*	8	900	±45	500	1960	1540	995	200
WZY1100-3/35*	8	1100	±35	480	1890	1470	935	180
WZY1100-2/65*	8	1100	±65	480	1680	1420	1270	175
WZY1300-3/35*	8	1300	±35	500	1960	1540	995	200
WZY1300-2/45*	8	1300	±45	560	2060	1650	1290	210
WZY1600-3/35*	8	1600	±35	530	2000	1580	1180	200
WZY1600-2/45*	8	1600	±45	575	2150	1720	1350	210
WZY2000-3/35*	8	2000	±35	560	2060	1650	1290	210
WZY2000-2/45*	8	2000	±45	585	2280	1800	1450	220

注：可以根据用户需求，提供上述型号外的产品。

Note: Other types of products except above can be provided according to customer's requirements.

WZY型转叶式舵机特点

The major features of WZY series Rotary Vane SG



可选配套部件：

Selectable Unit:

- Hydraulic Nut
- Stuffing Box Storage Tank
- Pilot System
- Rudder Angle Indicator System

1. 转舵机构密封系统性能好，舵机的稳舵精度 $\leq 0.5^\circ/\text{min}$ ；
2. 易于实现大转舵角度要求，最大可达 $\pm 70^\circ$ ；
3. 运转平稳，无液压冲击，位置精度高；
4. 转舵机构集成上舵承，降低船舶舵系成本；
5. 集成化程度高，易于安装，便于操作与维护；
6. 适用范围广，可配套于各类船舶及自航平台等。

1. Rudder actuator has superior tightness, 0.5 $^\circ/\text{min}$ Rudder
2. Easy to reach the large rudder angle requirement, up to $\pm 70^\circ$;
3. Steering smoothly and no hydraulic shock, with position accuracy;
4. Built in ruder carrier, so it can reduce the cost of rudder unit;
5. High integration, easy installation, instruction and maintenance;
6. Suitable for all types and sizes of ship.



舵机负载试验
Load Test of Rotary Vane Steering Gear



2x3000kNm大型舵机综合试验台
Complex Test Bed for large Steering Gear



报警板 Alarm panel



液压锁定检测箱 Hyd.lock box



启动器 Starter

舵机技术选型卡

Steering Gear Section Card

船厂 Shipyard		船型 Ship Type	
船东 Owner		船号 Hull No.	
船级社 Classification Society		其他规范 Other rules	
舵最大设计扭矩 The max.design torque of the rudder: _____ kNm			
舵机最大工作扭矩 The max. torque of the SG: _____ kNm			
舵数 Rudder quantity	<input type="checkbox"/> 单舵 (single rudder) <input type="checkbox"/> 双舵 (double) <input type="checkbox"/> 其它 (other): _____		
主电源 Main Power Source	<input type="checkbox"/> AC440V-60HZ-3Φ <input type="checkbox"/> AC380V -50HZ- 3Φ <input type="checkbox"/> AC690V-60HZ -3Φ		
一台泵站工作时的转舵速度 Rudder turning speed by one power unit	<input type="checkbox"/> 65deg/28s <input type="checkbox"/> 其它 (other): _____		
转舵角度 Rudder turning angle	<input type="checkbox"/> ±35° <input type="checkbox"/> ±45° <input type="checkbox"/> ±65° <input type="checkbox"/> 其它 (other): _____		
转子与舵杆的链接方式 Connection method between rudder and rotor	<input type="checkbox"/> 无键液压连接 (keyless-hyd) <input type="checkbox"/> 胀紧套 (Locking assembly)		
可选配套部件 Selectable Unit	<input type="checkbox"/> 液压螺母 (Hydraulic Nut) <input type="checkbox"/> 储备油箱 (Storage Tank) <input type="checkbox"/> 水密填料函 (Stuffing Box) <input type="checkbox"/> 自动舵 (Pilot System) <input type="checkbox"/> 舵角指示系统 (Rudder Angle Indicator System) <input type="checkbox"/> 舵杆与舵叶 (Rudder Stock and Rudder) <input type="checkbox"/> 其它 (other): _____		
填表人签名/Sign:	电话/Tel:	日期/Date:	
技术支持/Technical servive: Tel: 027-68867383 Fax: 027-68867461 E-mail: whcj@wmmp.com.cn			

售前服务电话 Before-sale service phone: 027-68867328/68867029 售前服务邮箱 Before-sale service email: marine@wmmp.com.cn
 售后服务热线 After-sales service: 400-1111461 保修 Guarantee claim: afterservice-bx@wmmp.com.cn
 调试 Commission test: afterservice-ts@wmmp.com.cn 询价 Inquiry: afterservice-xj@wmmp.com.cn